

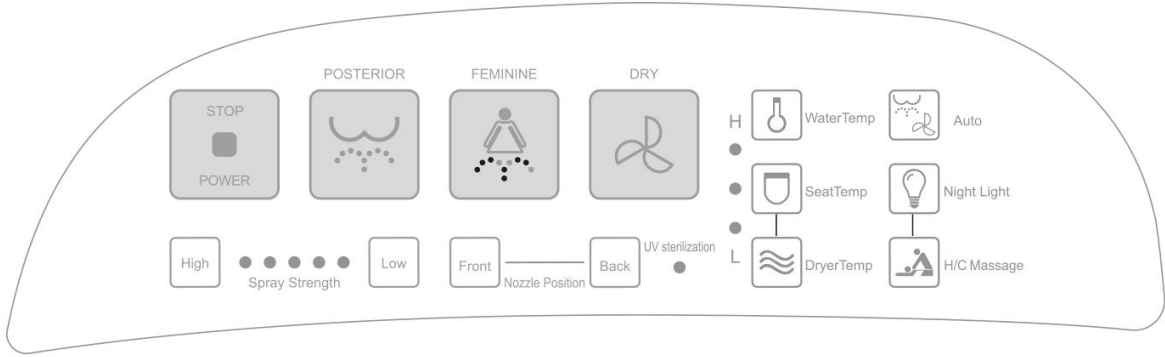
Remote controller



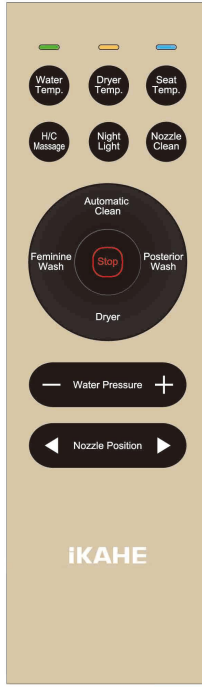
Control panel



Remote controller

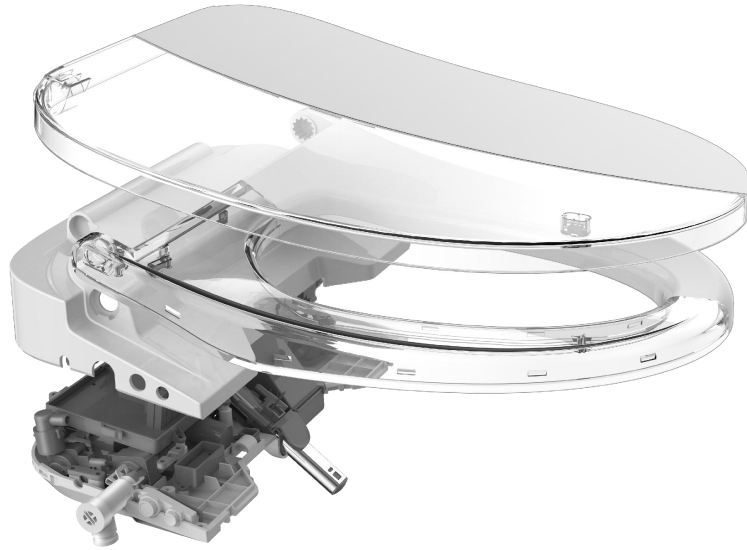


Control panel

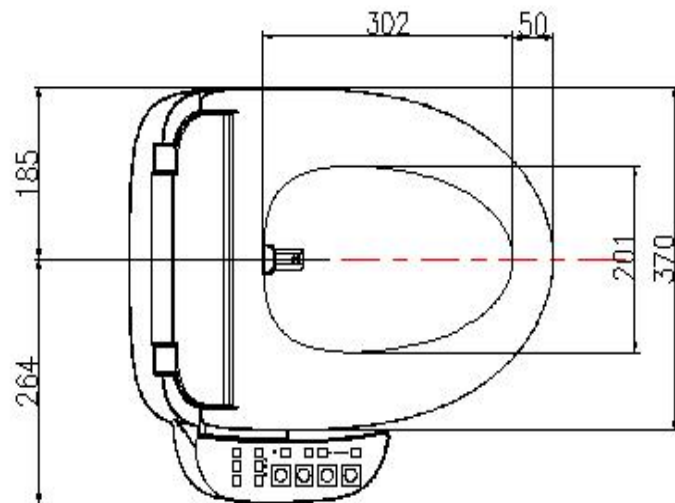
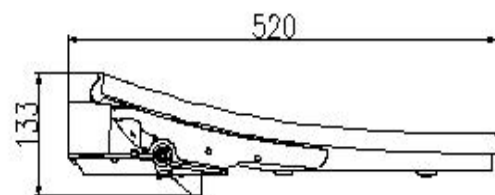
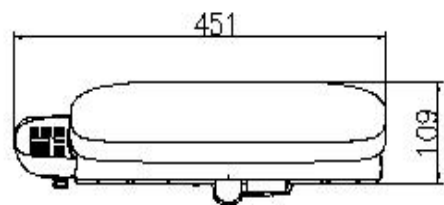


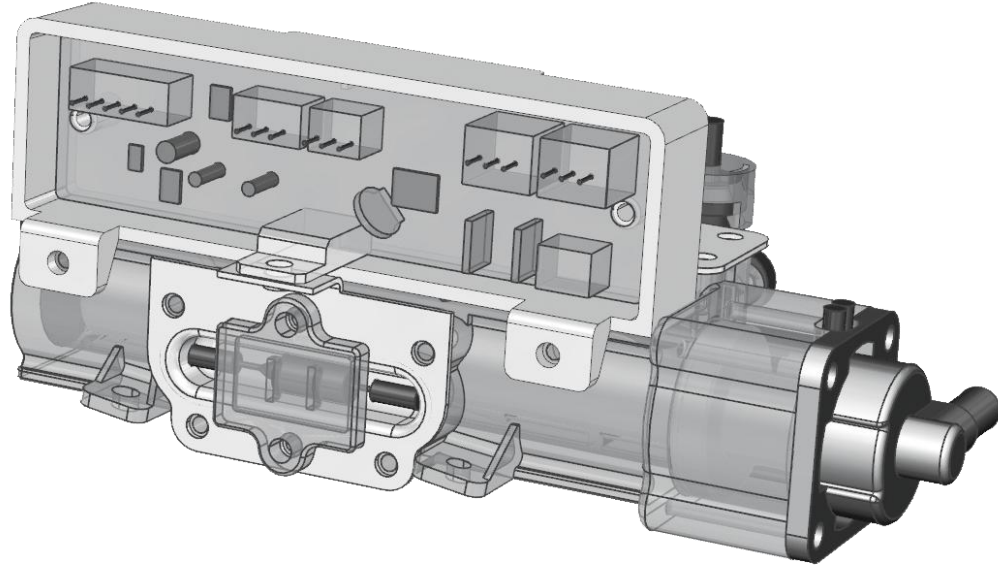


PP plastic: Best material for bidet, has good resistance to fatigue, lowest density, Anti-bacterial&anti-fire.



The thickness can come to 109mm, very compact and tight.

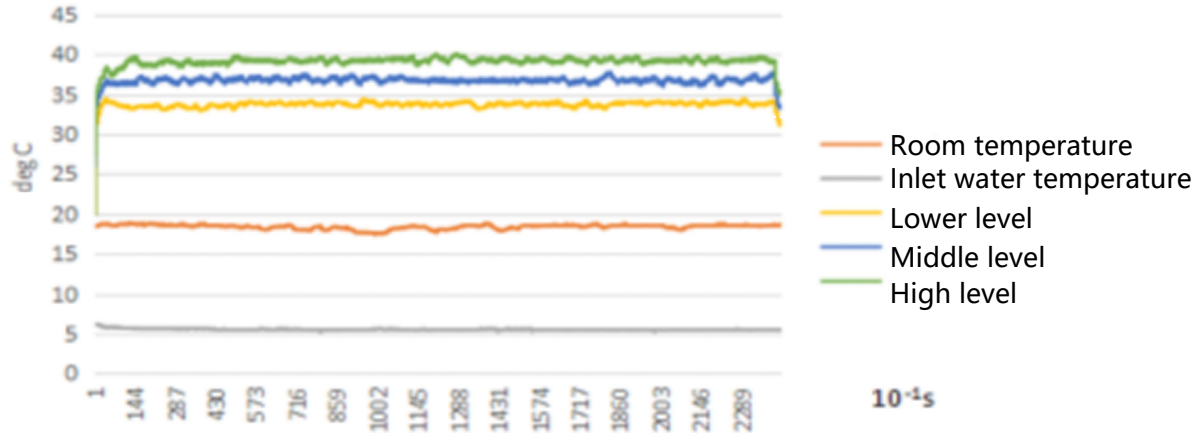




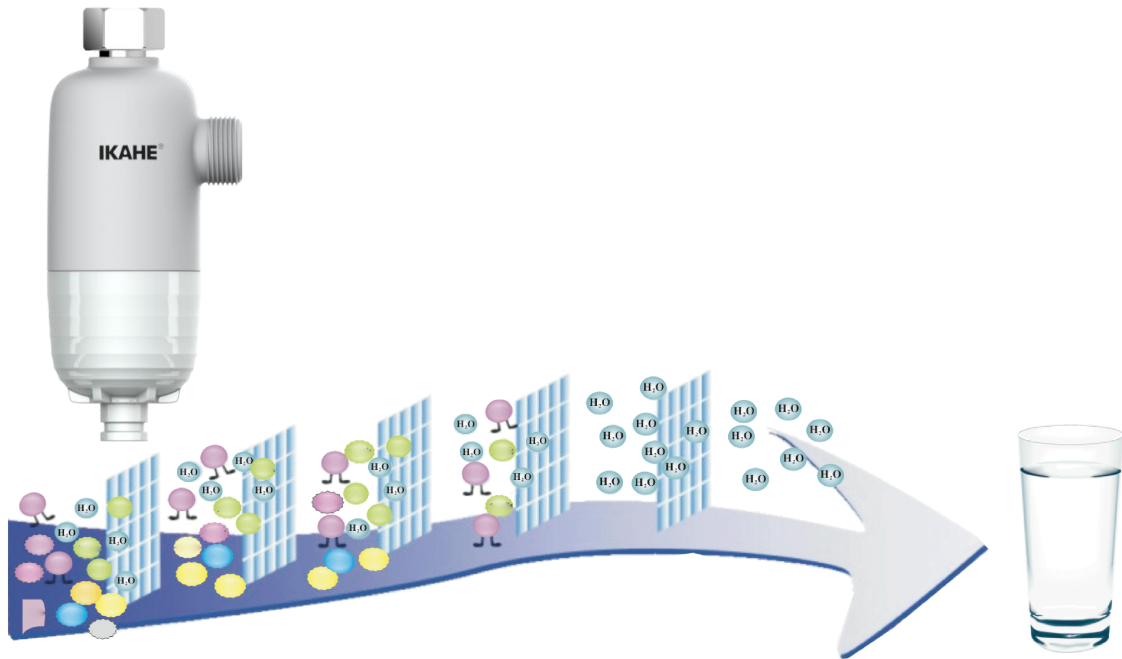
Original instant heating: It is designed and manufactured by Megmeet, the temperature difference is within 1 degree.

MEGMEET'S HEATING SYSTEM

Inlet Water Temp 5°C. The water valve can be switched on and off for 5s 5 times



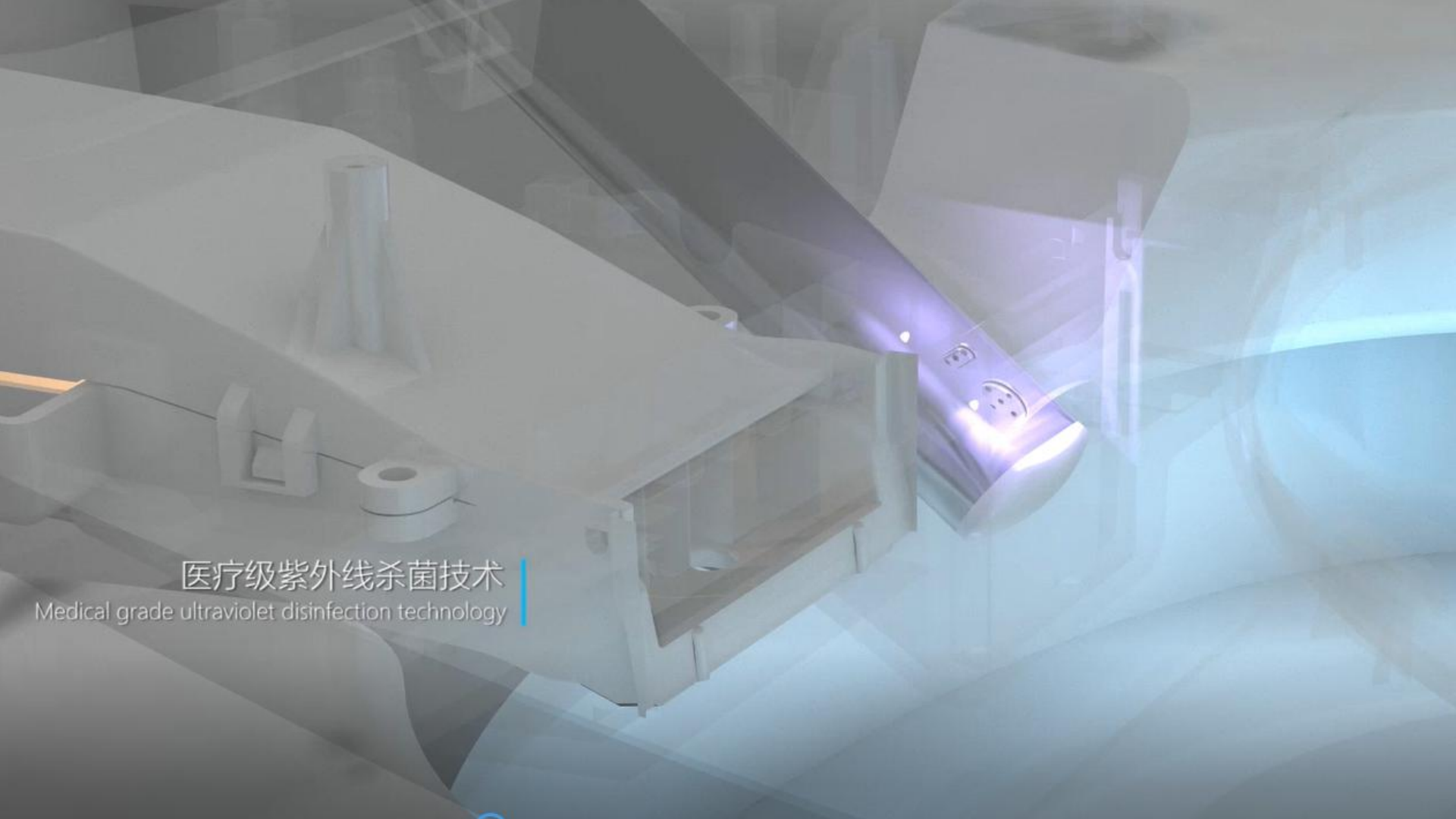
Inlet water Temp 5 °C. The input voltage 176 V, 220 V and 176 V. Inlet water closed/open five consecutive (shutdown time is 5 seconds) The highest water temperature during this time can be controlled within 41 °C.



PP cotton filter: Better filtering performance.

Design of intelligent Nano antibacterial nozzle





医疗级紫外线杀菌技术

Medical grade ultraviolet disinfection technology









Power Rating		220V
Frequency		50Hz
Rating Power Input		1535W(Inlet water temp is 15°C outlet is 40°C flow is 877ml/min)
Maximun Power Input		1800W(Inlet water temp is 5°C outlet is 40°C flow is740ml/min)
Ambient Temperature		1°C~40°C
Inlet Water Pressure		0.08MPa~0.8MPa
Inlet Water Temperature		1°C~35°C
Inlet Water Pipe		DN15(G1/2")
Wash	Heating Method	Instant heating
	Posterior Wash Volume	0.5~0.9L/min (5 Levels) when inlet water pressure is 0.2MPa
	Ferminine Wash Volume	0.5~0.9L/min (5 Levels) when inlet water pressure is 0.2MPa
	Water Temperature	Off/about 30°C~40°C (4 levels)
Dryer	Air Temp.	50mm from dryer door, about off/35°C~55°C (4 levels)
	Air Speed	About 4m/s
	Safety Gadget	Thermal fuse, Bimetal
Heated Seat	Seat Temp	Off/about 28°C~40°C (4 levels)
	Lip/Seat Falling	3s~60s
	Safety Gadget	Thermal fuse
Fire Protection	Seat	V-0
	PCB Board Shell	V-0
Waterproof Grade		IPX4
Power Cable length		About 1.2m

Production Line



Electronic Test Platform



Environment & Reliability test room



R&D Aging test room



Lightning surge test room



EMC test room

160KG/10Min

Cover pressure test

50,000

Seat cover slow down test

70,000

Seat cover bearing test

100,000

Cleaner life test

100,000

Distribution valve life test



50,000

Lid slow down test



100,000

Heater life test.



100,000

Keyboard plate life test



100,000

Seat cover life test



100,000

Dryer life test

Testing

IKAHE 怡和

IKAHE 怡和





MEGMEET